

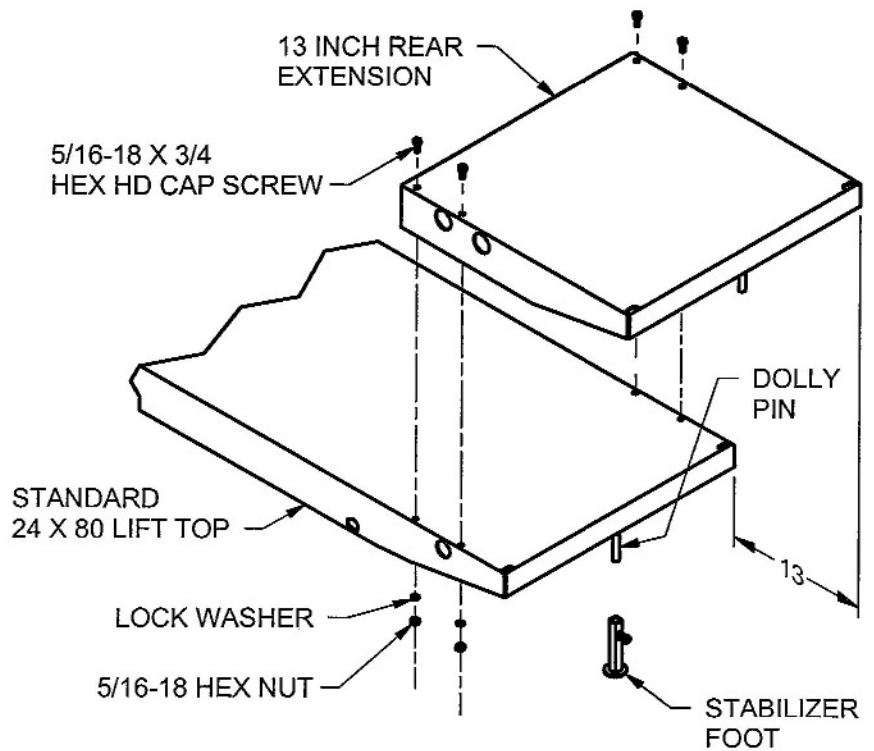
13" REAR EXTENSION - MOUNTING INSTRUCTIONS

INSTALLATION ONTO

STANDARD LIFT

REMOVE THE RAMP AND THEN POSITION THE 13" EXTENSION OVER THE EXISTING TABLE AS SHOWN. BE SURE TO PLACE THE END OF THE EXTENSION AT 13" FROM THE END OF THE TOP. IF MATING HOLES DO NOT EXIST IN THE LIFT TOP DRILL FOUR 3/8" DIAMETER HOLES TO MATCH THE EXTENSION HOLES.

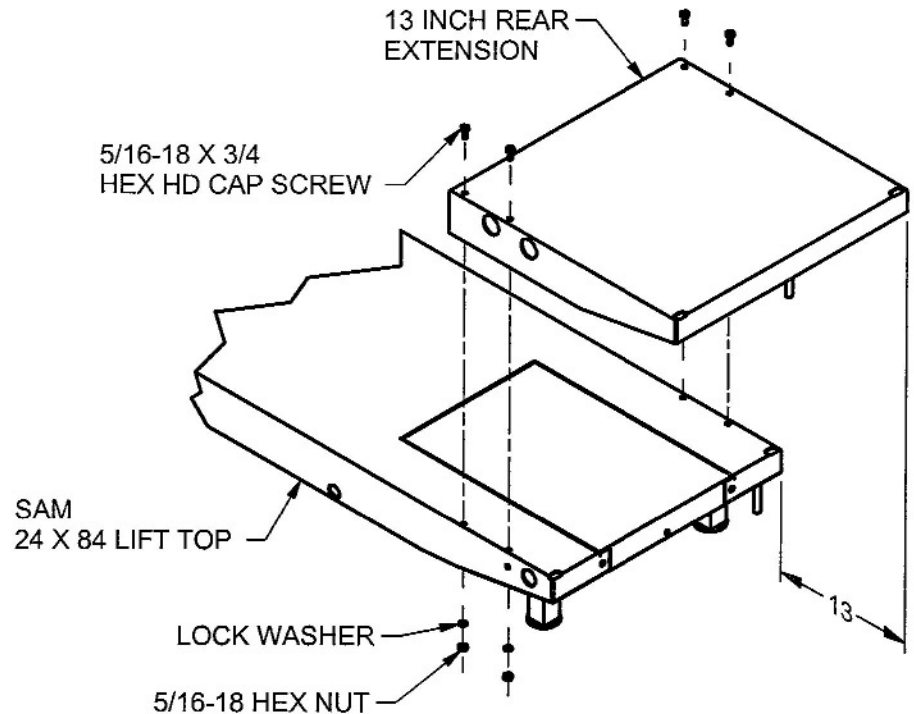
BEFORE PLACING RAMP ONTO EXTENSION POSITION THE STABILIZER FOOT OVER THE DOLLY PIN AND SECURE WITH SCREW PROVIDED.



INSTALLATION ONTO

S.A.M. 1000 LIFT

REMOVE THE RAMP AND THEN POSITION THE 13" EXTENSION OVER THE EXISTING TABLE AS SHOWN. BE SURE TO PLACE THE END OF THE EXTENSION AT 13" FROM THE END OF THE TOP. IF MATING HOLES DO NOT EXIST IN THE LIFT TOP DRILL FOUR 3/8" DIAMETER HOLES TO MATCH THE EXTENSION HOLES.



HANDY INDUSTRIES, L.L.C.

1-800-247-7594 - www.handyindustries.com