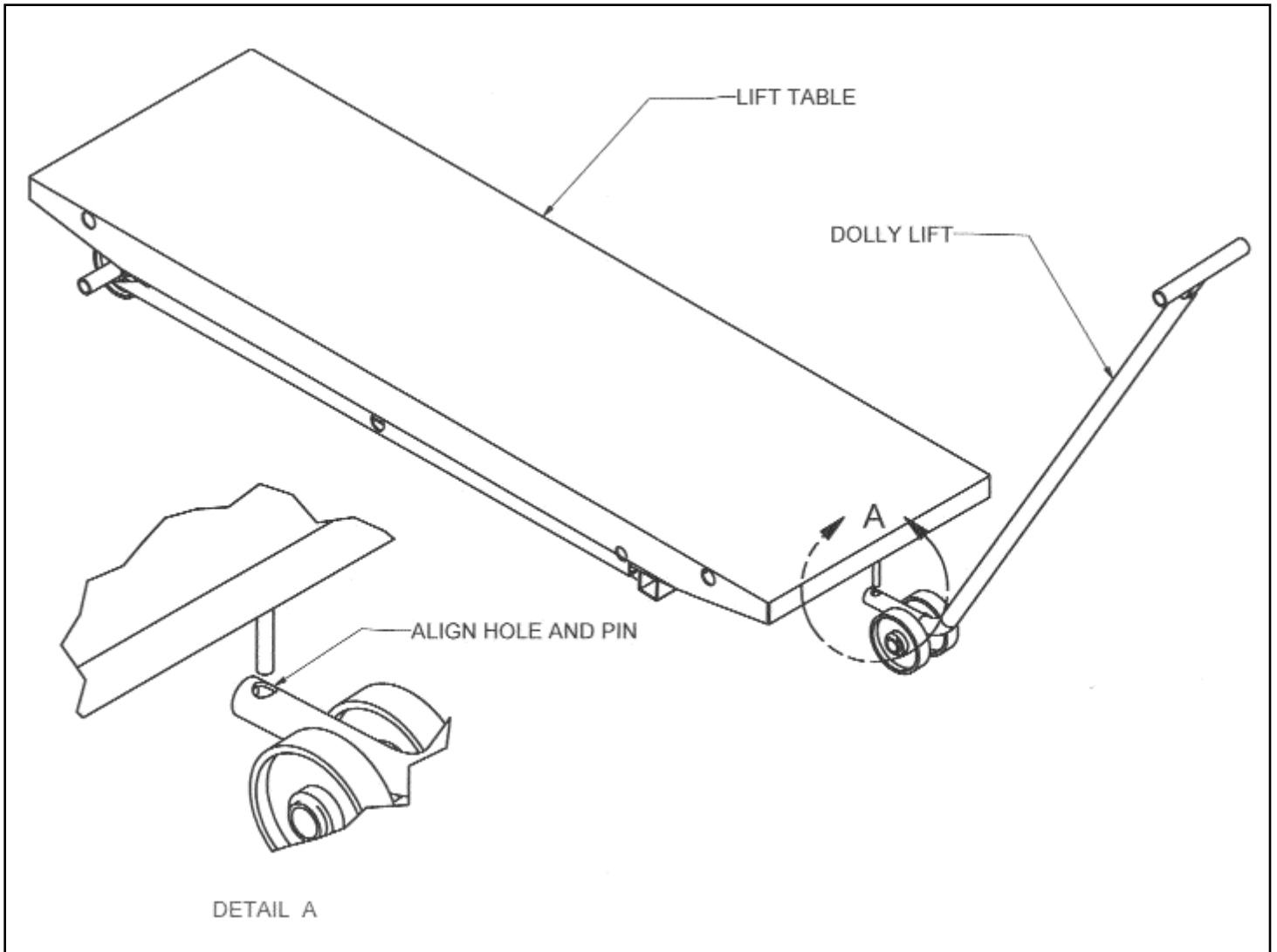




LIFT DOLLY

P/N 10732



INSTRUCTIONS

1. Lift must be in down position.
2. Align hole in end of Lift Dolly with pin at end of lift.
3. Push down on handle of Lift Dolly to raise end of lift.
4. Move lift to desired location.
5. Let handle of Lift Dolly up to lower lift.

HANDY DIVISION OF JADEIM, L.L.C.

401 S. 2ND AVE MARSHALLTOWN, IA 50158 ● Ph 855-752-5446 ● FAX 641-752-1205 ● www.handyindustries.com