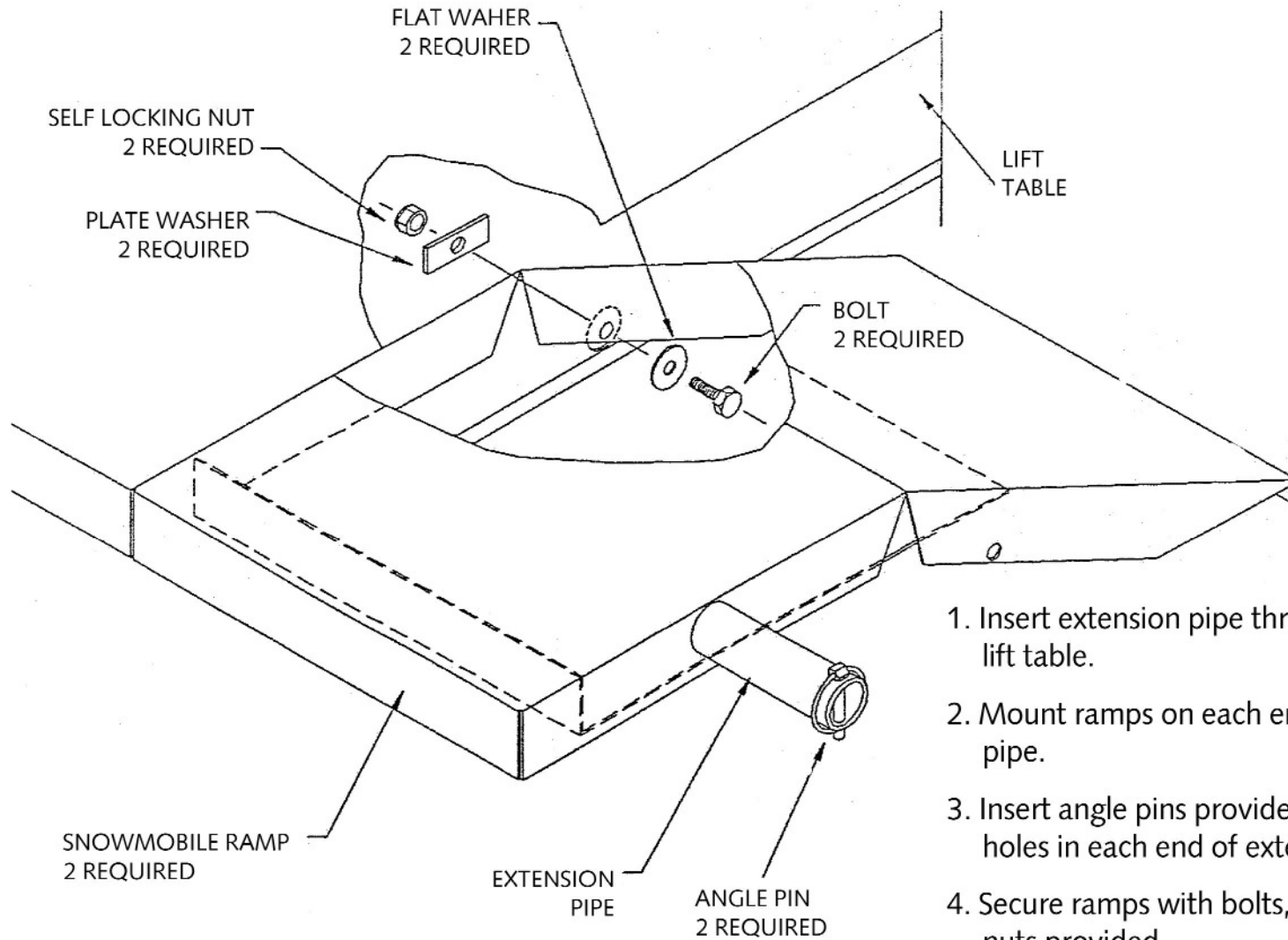




SNOWMOBILE PAD KIT

INSTALLATION INSTRUCTIONS



1. Insert extension pipe through holes in lift table.
2. Mount ramps on each end of extension pipe.
3. Insert angle pins provided through holes in each end of extension pipe.
4. Secure ramps with bolts, washers and nuts provided.