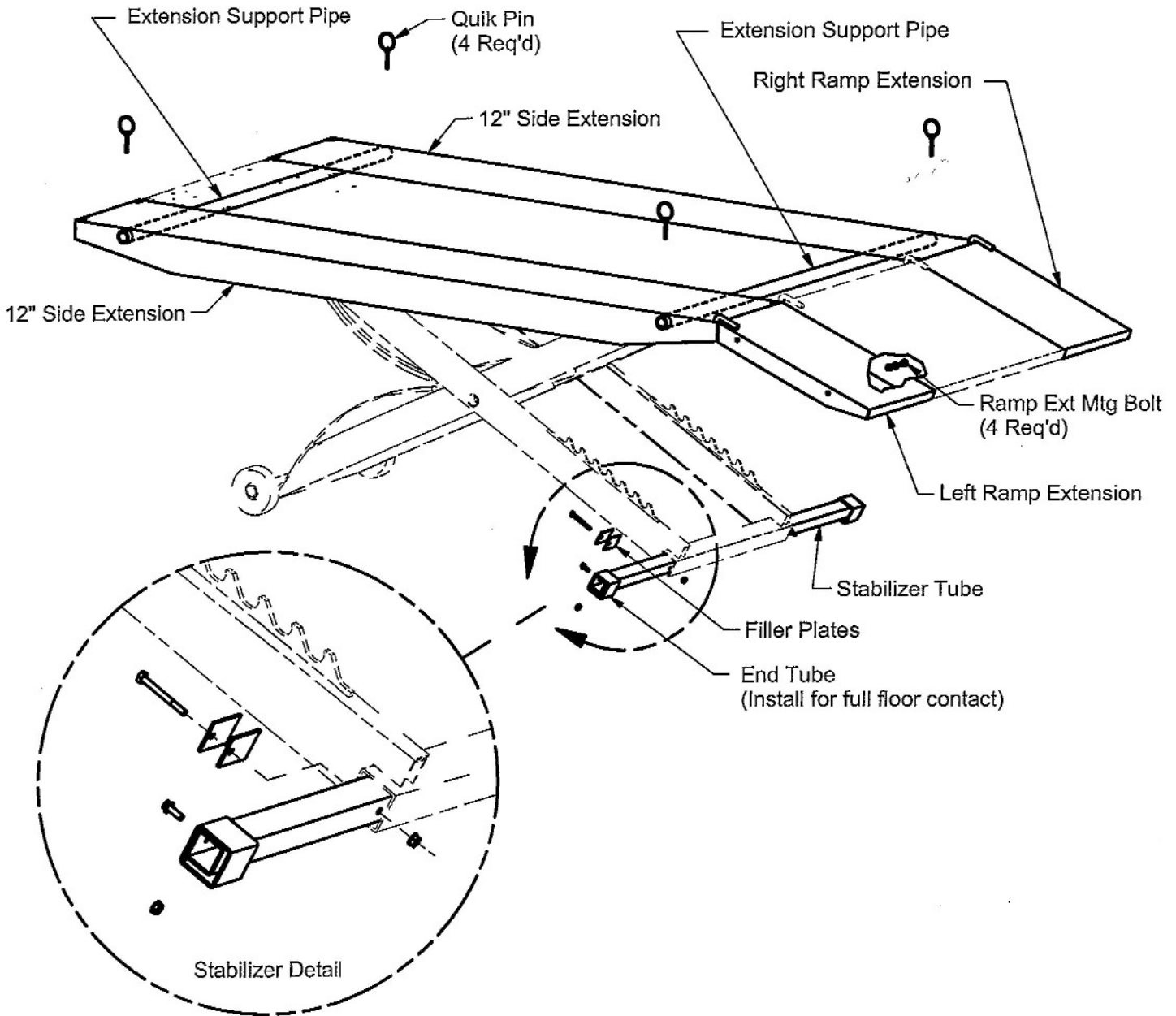


# HANDY 12" SIDE EXTENSIONS

For use with Handy Standard 24" x 80" Lift Tops

## MOUNTING INSTRUCTIONS



1. Insert pipes from extension panel package through holes in lift table.
2. Mount panels on each end of pipe as shown above.
3. Insert 1/4" Quik Pins provided through holes in each end of pipe.
4. Hang left & right ramp extensions on panels then secure to main ramp with bolts provided. Note ramp extension hooks are positioned on the outside.
5. **Stabilizer Tube** - Insert long stabilizer tube through tube of lift outside frame. Secure stabilizer tube on each end of frame tube using filler plates and bolts as shown. Attach the short 2" tube at the end(s) of the stabilizer tube using one bolt & nut as shown. Mount so that this 2" tube has full contact on floor.



HANDY DIVISION OF JADEIM, LLC

401 South 2nd Ave. Marshalltown, Iowa 50158 - Ph. 1-866-752-5446 - [www.handyindustries.com](http://www.handyindustries.com)