



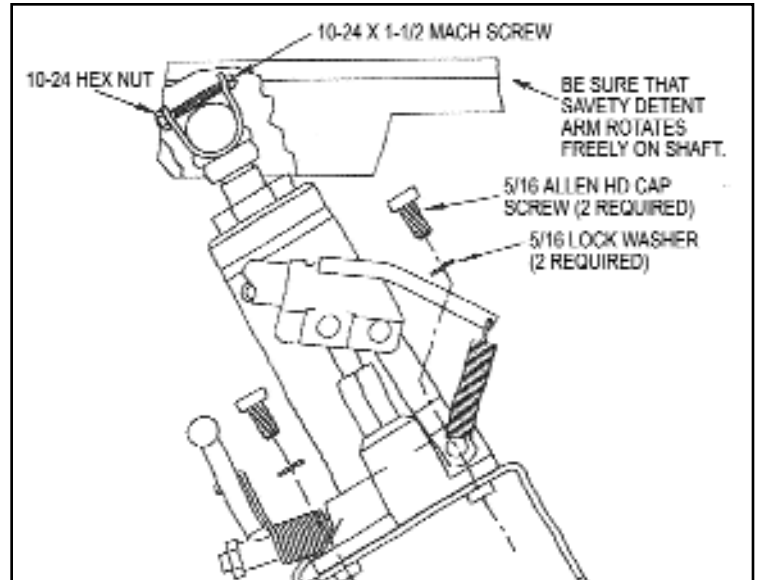
JAK-LIFT

MODEL 360 #14279 OWNERS INSTRUCTION

It is very important that you read these instructions before you assemble the Jak-Lift!

ASSEMBLY

1. Roll Handy Jak-Lift out of carton.
2. Remove bottle jack from carton.
3. Position jack over holes in mounting pad and secure with lock washers and screws as shown.
4. **IMPORTANT:** Release hydraulic pressure and push jack ram to bottom of stroke, then turn adjusting screw on ram's end out 2 complete turns to insure full lift travel.
5. Pump ram up approximately $\frac{1}{2}$ " to $\frac{3}{4}$ " from its full down position.
6. Position detent bar (safety lock bar) over bottle jack ram by picking up on the Jak-Lift frame. Check that the safety lock detent is allowed to freely rotate above the ram.
7. Fully tighten the two mounting bolts securing the jack to the base after determining that jack has been properly positioned.
8. Install 10-24 x $1\frac{1}{2}$ " screw as shown thru holes in u-retainer and secure with nut.
9. Test lift operation by raising and lowering unit without a load.



CAUTION: TO AVOID POSSIBLE INJURY, DO NOT REACH UNDER OPEN FRAME MEMBERS.

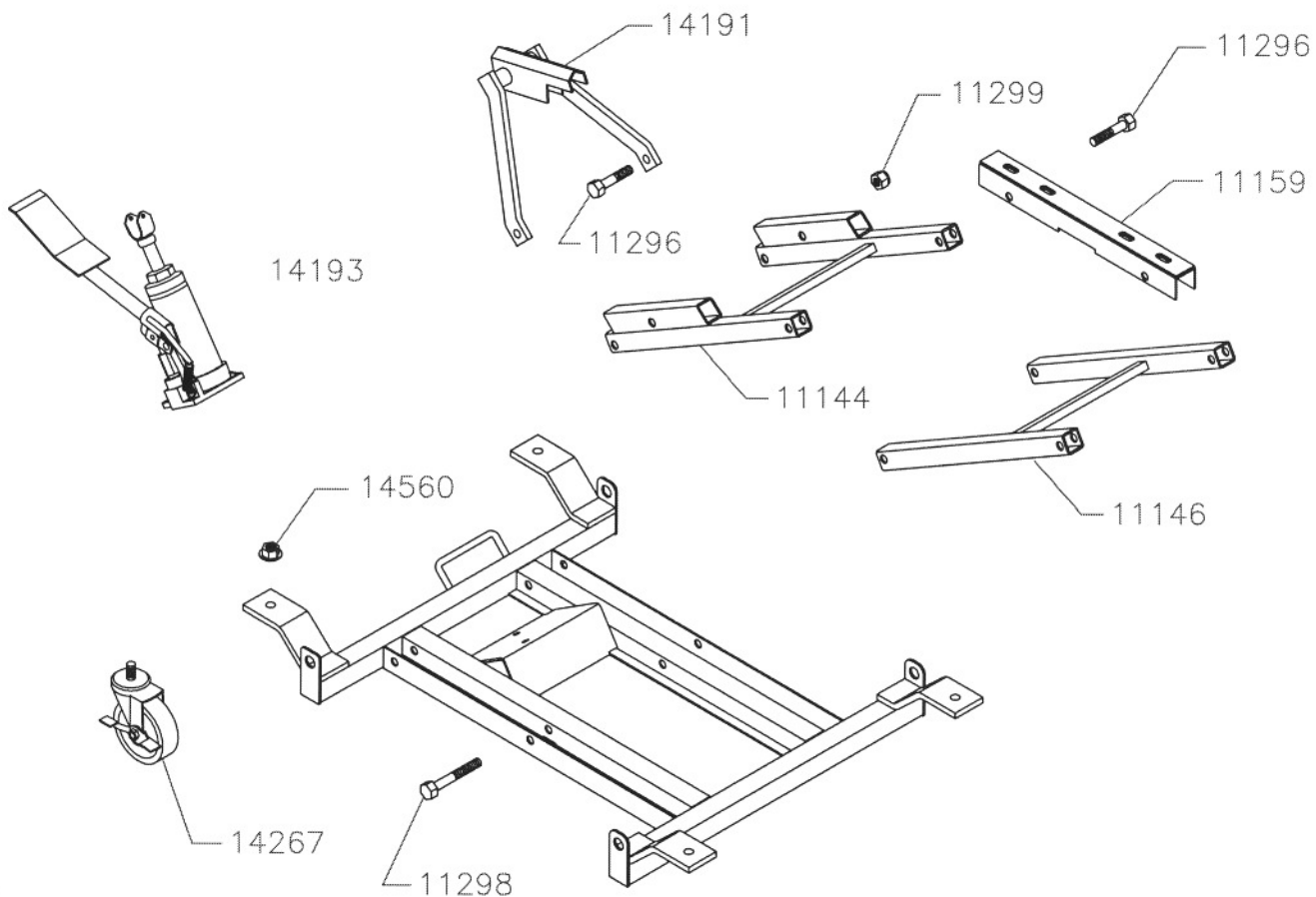
Before using the Handy Jak-Lift check the project you are lifting to make sure that there is a stable support frame underneath. Maximum weight is 1200 lb.

1. Place the Handy Jak-Lift under your vehicle in the proper lifting position.
2. Make sure your project is equally balanced to avoid tipping.
3. It is advisable to use tie-down straps to avoid personal injury or protect against your project from coming off the jack.
4. Pump the jack up by using the foot lever or by hand.
5. You must raise the lift either to the 1st locking position at $11\frac{3}{4}$ " or to the 2nd position at $18\frac{1}{2}$ ".
6. Place the safety bar in place to lock in position.
7. Lock wheels.
8. Make sure you secure your motorcycle to lift with tie-down straps **BEFORE** you try to roll the lift.

LOWERING LIFT

1. When lowering project: Slightly pump the jack up so that the safety bar can be released, then with hand slowly depress release valve to left (never push to right) allowing the lift to gradually lower to the ground.

JAK-LIFT MODEL 360 PARTS LIST



PART #	DESCRIPTION	PART #	DESCRIPTION
14279	JAK LIFT 360	14267	Swivel Caster w/ Brake
11146	Frame Assembly, Front	11298	Hex Head Cap Screw 1/2"-13 X 3 3/4"
11144	Frame Assembly, Rear	11296	Hex Head Cap Screw 1/2"-13 X 2 1/2"
14191	Yoke Assembly	11299	Hex Nut, 1/2"-13 PLTD w/Nyl Lk
11159	Support Pad Assembly	14560	Nut Lock Flange 1/2-13 Serrated
14193	Jack Assembly		

HANDY LIMITED WARRANTY

Handy Industries Division of Jadeim LLC, warrants to the original purchaser of this product, all parts to be free from defects in manufacture for a period of one (1) year from date of delivery. Notice of a defective part must be received in writing at Handy Industries within one (1) year of purchase. All defective parts must be returned to Handy Industries and which, upon our examination any parts which are defective in manufacture or workmanship, will be replaced or put in good operating condition. This warranty does not apply to damage resulting from accident, improper installation, repair, operation or maintenance, negligence or neglect. THE COST OF SUCH REPLACEMENT OR REPAIR SHALL BE EXCLUSIVE REMEDY FOR ANY BREACH OF ANY WARRANTY AND HANDY INDUSTRIES SHALL NOT BE LIABLE TO ANY PERSON FOR CONSEQUENTIAL DAMAGE, OR INJURY, OR COMMERCIAL LOSS RESULTING FROM ANY BREACH OF WARRANTY. HANDY INDUSTRIES MAKES NO WARRANTY OR MERCHANTABILITY, MAKES NO WARRANTY OF FITNESS FOR A PARTICULAR PURPOSE AND MAKES NO OTHER WARRANTY EXPRESSED OR IMPLIED, INCLUDING IMPLIED WARRANTY ARISING FROM THE COURSE OR DEALING OR USAGE OF THE TRADE. INCLUDING IMPLIED WARRANTY ARISING FROM THE COURSE OR DEALING OR USAGE OF THE TRADE

HANDY DIVISION OF JADEIM, LLC

401 South 2nd. Ave. Marshalltown, IA 50158
Ph 1-855-752-5446 Fax 641-752-1205 www.handyindustries.com