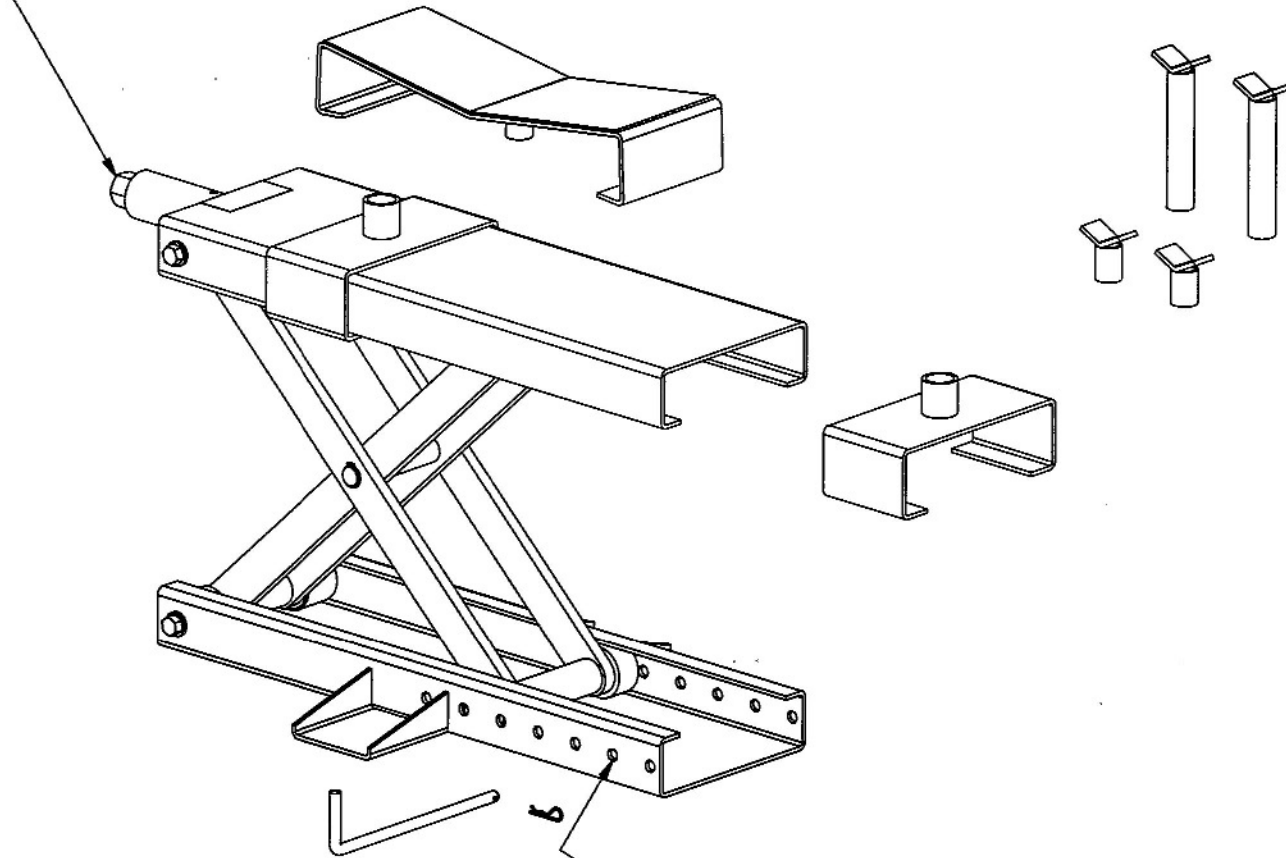




Universal Scissors Jack - 13008H

WARNING:
DO NOT USE
IMPACT WRENCH



WARNING:
FOR SAFETY, INSERT PIN THROUGH
HOLES IN BOTH SIDES OF THE BASE
WHEN JACK IS IN THE RAISED POSITION

HANDY LIMITED WARRANTY

Handy Industries Division of Jadeim LLC, warrants to the original purchaser of this product, all parts to be free from defects in manufacture for a period of one (1) year from date of delivery. Notice of a defective part must be received in writing at Handy Industries within one (1) year of purchase. All defective parts must be returned to Handy Industries and which, upon our examination any parts which are defective in manufacture or workmanship, will be replaced or put in good operating condition. This warranty does not apply to damage resulting from accident, improper installation, repair, operation or maintenance, negligence or neglect. THE COST OF SUCH REPLACEMENT OR REPAIR SHALL BE EXCLUSIVE REMEDY FOR ANY BREACH OF ANY WARRANTY AND HANDY INDUSTRIES SHALL NOT BE LIABLE TO ANY PERSON FOR CONSEQUENTIAL DAMAGE, OR INJURY, OR COMMERCIAL LOSS RESULTING FROM ANY BREACH OF WARRANTY. HANDY INDUSTRIES MAKES NO WARRANTY OR MERCHANTABILITY, MAKES NO WARRANTY OF FITNESS FOR A PARTICULAR PURPOSE AND MAKES NO OTHER WARRANTY EXPRESSED OR IMPLIED, INCLUDING IMPLIED WARRANTY ARISING FROM THE COURSE OR DEALING OR USAGE OF THE TRADE. INCLUDING IMPLIED WARRANTY ARISING FROM THE COURSE OR DEALING OR USAGE OF THE TRADE

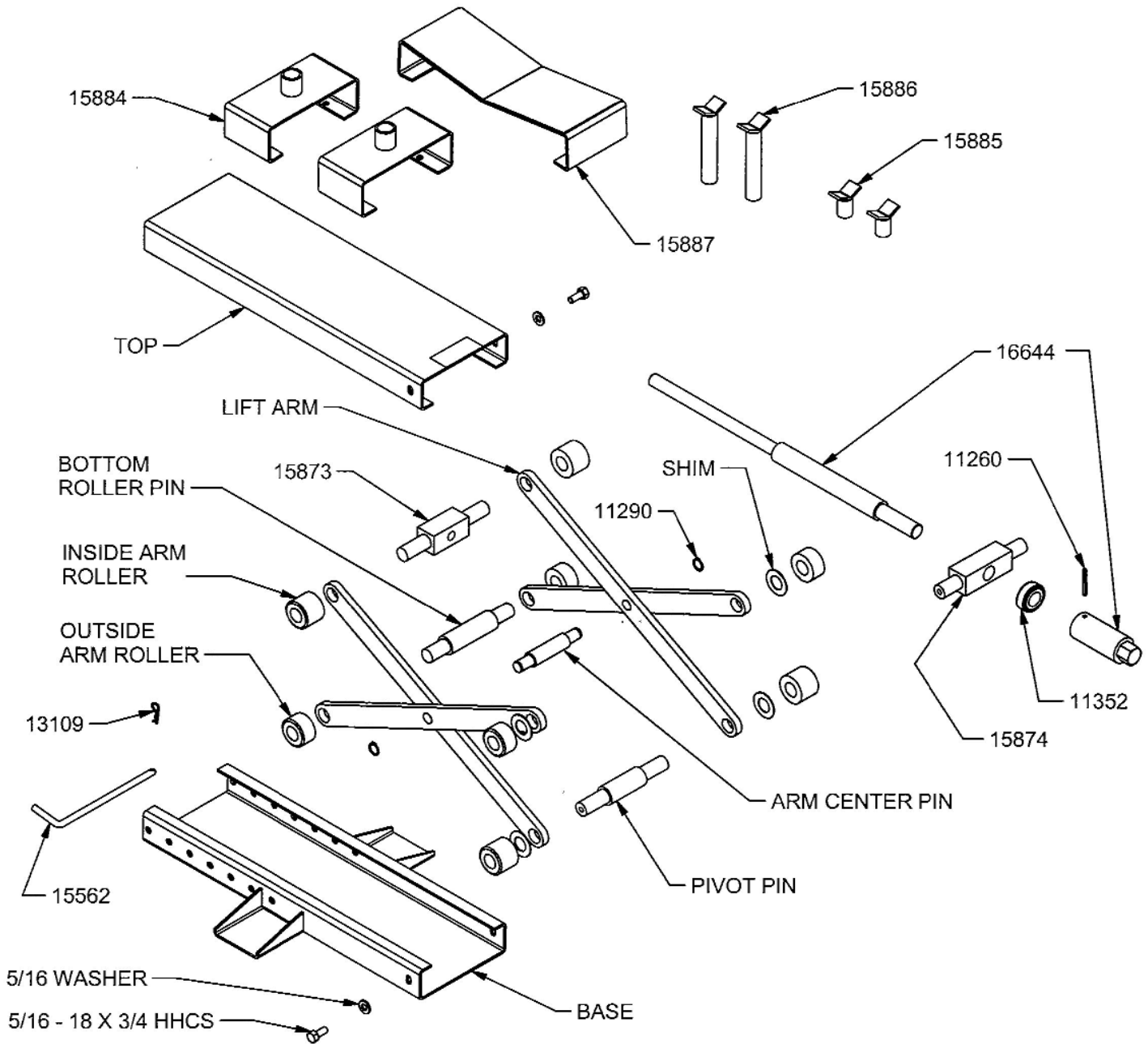
HANDY DIVISION OF JADEIM, LLC

401 South 2nd. Ave. Marshalltown, IA 50158
1-855-752-5446 Fax 641-752-1205 www.handyindustries.com



Universal Scissors Jack - 13008H

PARTS LIST



PART No.	DESCRIPTION	QTY
11260	PIN ROLL 3/16 X 1 1/2	1
11290	RETAINING RING	2
11352	THRUST BEARING	1
13109	HAIR PIN COTTER	1
15562	SAFETY HOLDING PIN	1
15873	UPPER ROLLER BLOCK	1

PART No.	DESCRIPTION	QTY
15874	SCREW SUPPORT BLOCK	1
15884	MAIN SUPPORT	2
15885	SHORT V-SUPPORT	2
15886	TALL V-SUPPORT	2
15887	V-BLOCK ASSY	1
16644	DRIVE SCREW ASSY	1