

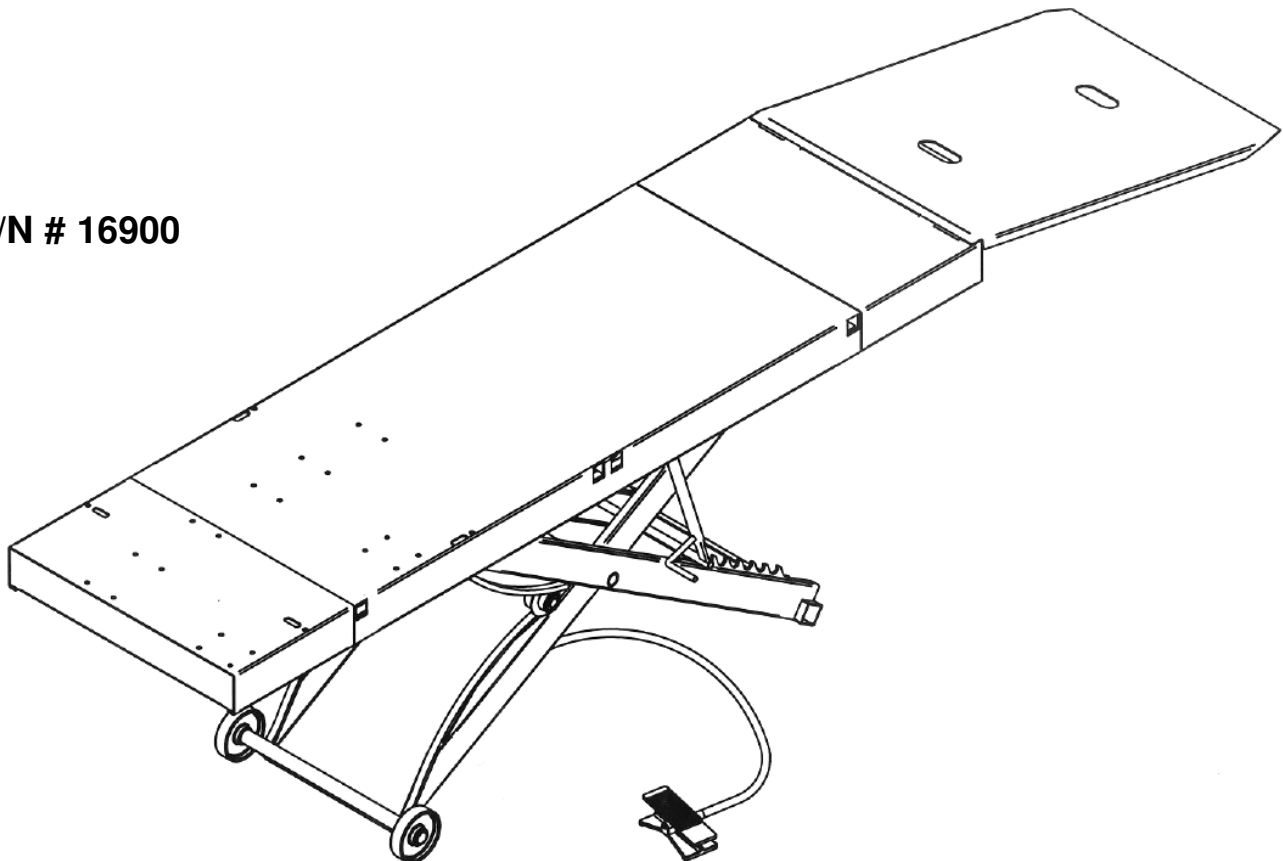


S.A.M.² 1000

INSTRUCTIONS - PARTS DRAWING - PARTS LIST

WARNING: READ INSTRUCTIONS BEFORE OPERATING

P/N # 16900



1. Center load on table - 1000 lb. maximum.
2. Connect to 100 psi maximum shop air.
3. Keep safety bar in position at all times - except when lowering.
4. Keep hands and tools from under carriage.
5. Do not mount table when in elevated position.
6. Do not ride vehicle onto lift.
7. Lift must be in the lowered position when moving.
8. Only trained persons should operate Air Lift.
9. The working area should be sufficiently lit.
10. Foot controller should be at least 3 feet away from Air Lift during raising and lowering operation.
11. Lift is recommended for indoor use only.



S.A.M.² 1000

INSTRUCTIONS



NOTE: READ ENTIRE MANUAL TO COMPLY WITH ALL SAFETY AND SERVICE PRECAUTIONS. DEATH, PERSONAL INJURY AND/OR PROPERTY DAMAGE MAY OCCUR UNLESS INSTRUCTIONS ARE FOLLOWED CAREFULLY.

UNPACKING AND SET-UP

1. Open carton, then remove ramp, drop panel and shipping boards.
 - ➔ 2. **CAREFULLY TURN TABLE UPRIGHT INTO OPERATING POSITION BEFORE REMOVING SHIPPING CABLE RESTRAINT FROM SCISSOR MECHANISM.**
 - ▲ 3. Remove the two shipping bolts attaching rear drop panel to lift top. The bolts are located under drop panel and lift top at each end.
 4. Connect foot-operated air valve to 100 psi maximum air supply. The lift may be damaged and/or personal injury may result if the pressure exceeds the maximum 100 psi rating.
 5. Stand clear of lift table, and depress the UP side of foot valve to raise table.
 6. To lower table, lift detent bar from safety latch and lower to next position or to floor.
 7. To level front or rear drop panels: adjust set screws up or down through access holes in each corner of lift top to gain level work platform. See print.
 8. Slide front & rear drop panels into place and lift to lock in place at end of tube.
 9. Insert ramp mounting tabs into slots at either end of table to mount ramp.
- NOTE:** If cycle vise is being installed, ramp must be mounted opposite the cycle vise.

OPERATION

- ▲ 1. Loads must be centered on table at all times. Table is rated for a maximum load of 1000 lbs.
- ▲ 2. Loads must be firmly positioned and secured on table at all times.
3. All moving parts have been lubricated at the factory and should be re-lubricated every (6) months to prevent galling. Grease zerks are located at each end of frame pivot shaft and at top ends of inside frame assembly.
4. Lightly oil cylinder rod when it becomes dry.
5. Squirt some oil through bleed hole in plate end of cylinder to lubricate piston and its seal every (6) months.
6. Pivot shaft set screws should be checked frequently to be sure they are tight. These are located at the top end of the inside frame assembly.

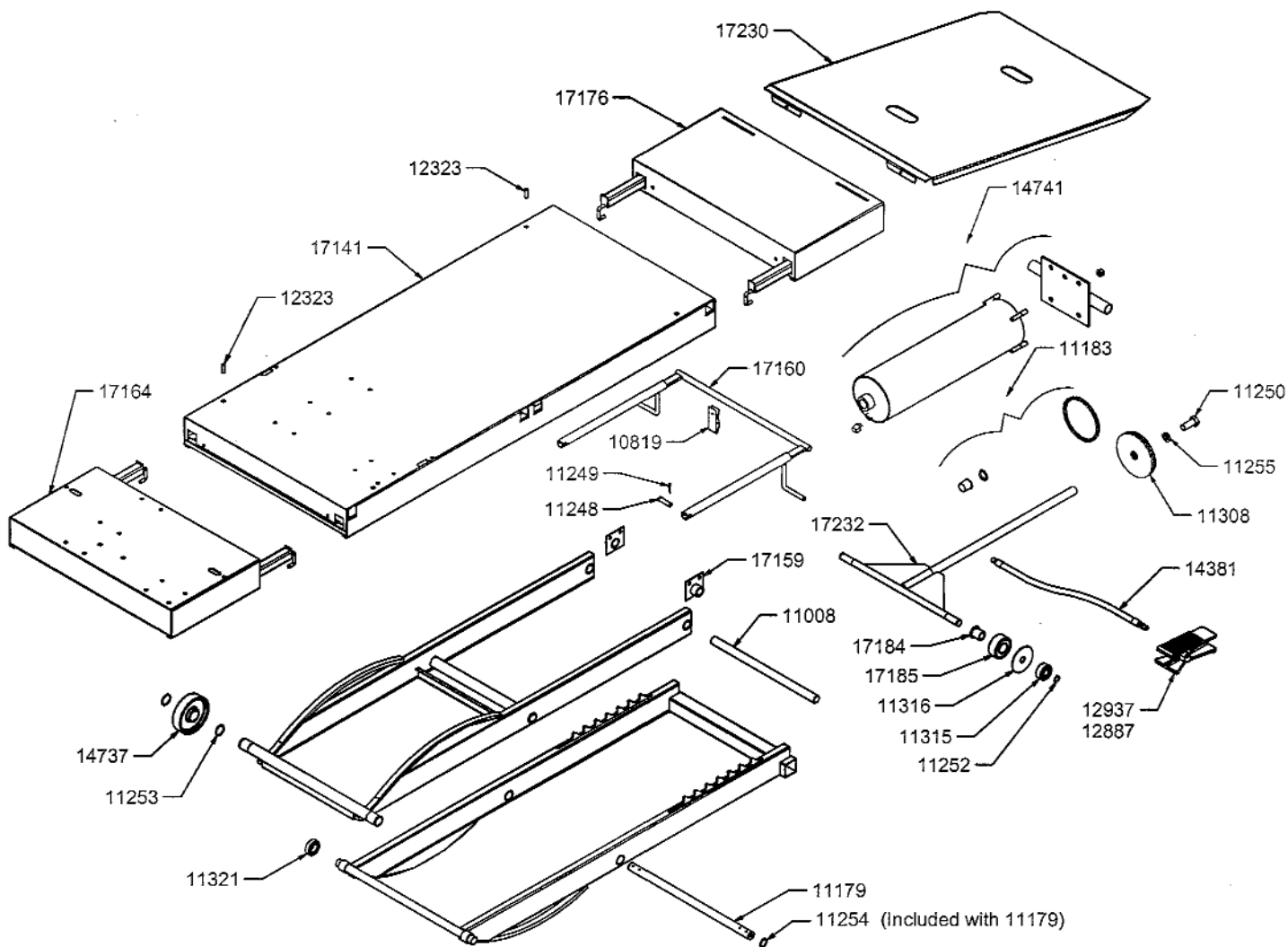
OTHER OPTIONS AVAILABLE

14476	CV-17 CYCLE VISE - Used to stabilize motorcycle while on lift
16901	10" SIDE EXTENSIONS - (2) Expands width of lift to a full 48"

Handy

S.A.M.² 1000

PARTS DRAWING



PART No.	DESCRIPTION
10819	DETENT BAR CLIP
11008	CYLINDER PIVOT SHAFT
14741	CYLINDER & PIVOT PLATE PTD BLK
11179	PIVOT SHAFT REPLACEMENT
11183	CYLINDER KIT REPLACEMENT
11248	CLEVIS PIN
11249	COTTER PIN
11250	3/4-10 HEX HEAD SCREW
11252	RETAINING RING CAM BEARING
11253	RETAINING RING WHEEL
11254	RETAINING RING PIVOT SHAFT
11255	3/4" SPLIT LOCKWASHER
11308	PISTON
11315	OUTSIDE CAM ROLLER BEARING
11316	CAM BEARING SPACER

PART No.	DESCRIPTION
14737	WHEEL CAST PTD BLK
11321	TRACK BEARING
12323	SCREW SET 3/8-16X1 1/4 CUP PT
12887	VALVE STEM ASSY REPLACEMENT
12937	FOOT VALVE ASSY REPLACEMENT
14381	ASSY AIR HOSE
17141	ASSY TOP PTD RED
17159	ASSY BEARING BRKT PTD BLK
17160	ASSY DETENT BAR PTD RED
17164	ASSY DROPLEAF VISE END PTD RED
17176	ASSY DROPLEAF RAMP END PTD RED
17232	ASSY CYLINDER SHAFT PTD BLK
17184	INSIDE CAM BEARING BUSHING
17185	INSIDE CAM ROLLER BEARING
17230	ASSY RAMP PTD BLK

HANDY LIMITED WARRANTY

Handy Industries Division of Jadeim LLC, warrants to the original purchaser of this product, all parts to be free from defects in manufacture for a period of one (1) year from date of delivery. Notice of a defective part must be received in writing at Handy Industries within one (1) year of purchase. All defective parts must be returned to Handy Industries and which, upon our examination any parts which are defective in manufacture or workmanship, will be replaced or put in good operating condition. This warranty does not apply to damage resulting from accident, improper installation, repair, operation or maintenance, negligence or neglect. THE COST OF SUCH REPLACEMENT OR REPAIR SHALL BE EXCLUSIVE REMEDY FOR ANY BREACH OF ANY WARRANTY AND HANDY INDUSTRIES SHALL NOT BE LIABLE TO ANY PERSON FOR CONSEQUENTIAL DAMAGE, OR INJURY, OR COMMERCIAL LOSS RESULTING FROM ANY BREACH OF WARRANTY. HANDY INDUSTRIES MAKES NO WARRANTY OR MERCHANTABILITY, MAKES NO WARRANTY OF FITNESS FOR A PARTICULAR PURPOSE AND MAKES NO OTHER WARRANTY EXPRESSED OR IMPLIED, INCLUDING IMPLIED WARRANTY ARISING FROM THE COURSE OR DEALING OR USAGE OF THE TRADE.