

FORD

2508 & 2511 Louvered Fifth Wheel Tailgate
2308 & 2311 Louvered Straight Tailgate

REMOVAL/INSTALLATION INSTRUCTIONS

STANDARD TAILGATE REMOVAL

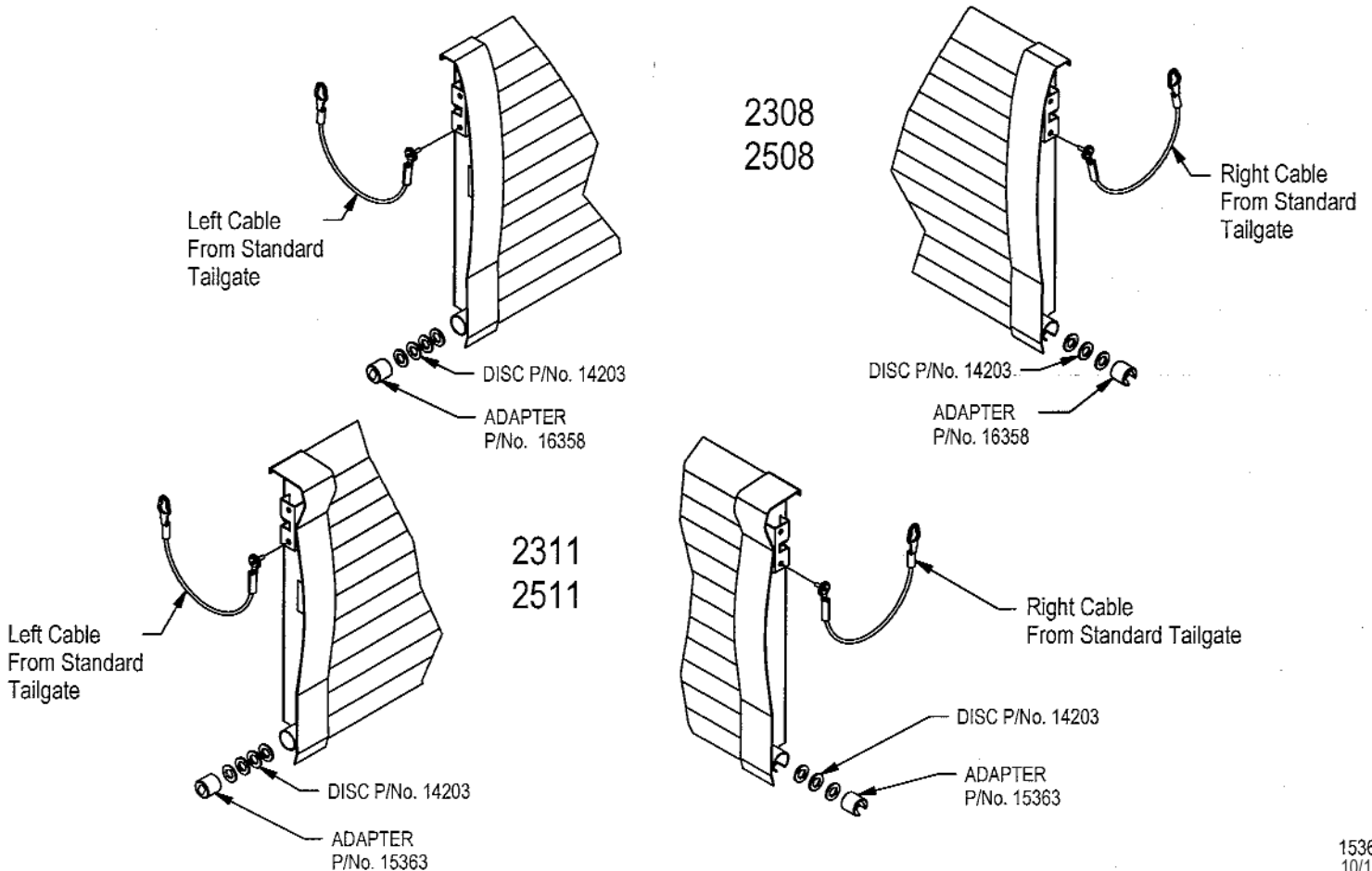
Partially open tailgate. Unhook the retaining cables at each side of the truck.
Tip tailgate to align the right pivot tube notch with mating peg on truck.
Lift right side off then pull tailgate from the left peg and set tailgate aside.

HANDY TAILGATE INSTALLATION

Remove the two retaining cables from the standard tailgate that is now off the truck.
Use the existing mounting bolts on the end of these cables to secure the cables to the Handy Tailgate.

These tailgate models are equipped with adapter bushings at both the left and right pivot locations. 1/8" thick neoprene discs are located behind these adapters to aid in centering the tailgate. If necessary some of these discs may be removed or relocated to properly center the tailgate.

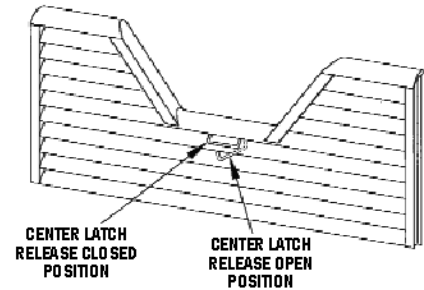
Install the tailgate by reversing the procedure used to remove the standard tailgate. Check the new tailgate for proper spacing from side to side and remove or add discs to obtain better centering if needed. Connect the retaining cables back on to the pegs at the side of the truck box. Close tailgate and check to see that both latch pins are fully engaged behind the striker pegs of the truck box.



LATCHING MECHANISM

The **STRAIGHT TAILGATE** latches are engaged and released by pulling on the cable located between the louvers.

The **FIFTH WHEEL TAILGATE** with center handle release is engaged and released by pulling/rotating the release handle out and to the right.



CAUTION: TO AVOID INJURY

When opening tailgate, support tailgate with one hand while using the other hand to move center handle to the release position. **NOTE:** When closing the tailgate, it is advisable to use the release handle to retract the latch pins away from the mating latch or peg for a smoother engaging action.

HANDY LIMITED WARRANTY

Handy Industries Division of Jadeim LLC, warrants to the original purchaser of this product, all parts to be free from defects in manufacture for a period of one (1) year from date of delivery. Notice of a defective part must be received in writing at Handy Industries within one (1) year of purchase. All defective parts must be returned to Handy Industries and which, upon our examination any parts which are defective in manufacture or workmanship, will be replaced or put in good operating condition. This warranty does not apply to damage resulting from accident, improper installation, repair, operation or maintenance, negligence or neglect. THE COST OF SUCH REPLACEMENT OR REPAIR SHALL BE EXCLUSIVE REMEDY FOR ANY BREACH OF ANY WARRANTY AND HANDY INDUSTRIES SHALL NOT BE LIABLE TO ANY PERSON FOR CONSEQUENTIAL DAMAGE, OR INJURY, OR COMMERCIAL LOSS RESULTING FROM ANY BREACH OF WARRANTY. HANDY INDUSTRIES MAKES NO WARRANTY OR MERCHANTABILITY, MAKES NO WARRANTY OF FITNESS FOR A PARTICULAR PURPOSE AND MAKES NO OTHER WARRANTY EXPRESSED OR IMPLIED, INCLUDING IMPLIED WARRANTY ARISING FROM THE COURSE OR DEALING OR USAGE OF THE TRADE.



HANDY INDUSTRIES
DIVISION OF JADEIM, LLC
401 South 2nd. Ave. Marshalltown, IA 501
1-800-247-7594 Fax 641-752-1205
www.handyindustries.com