

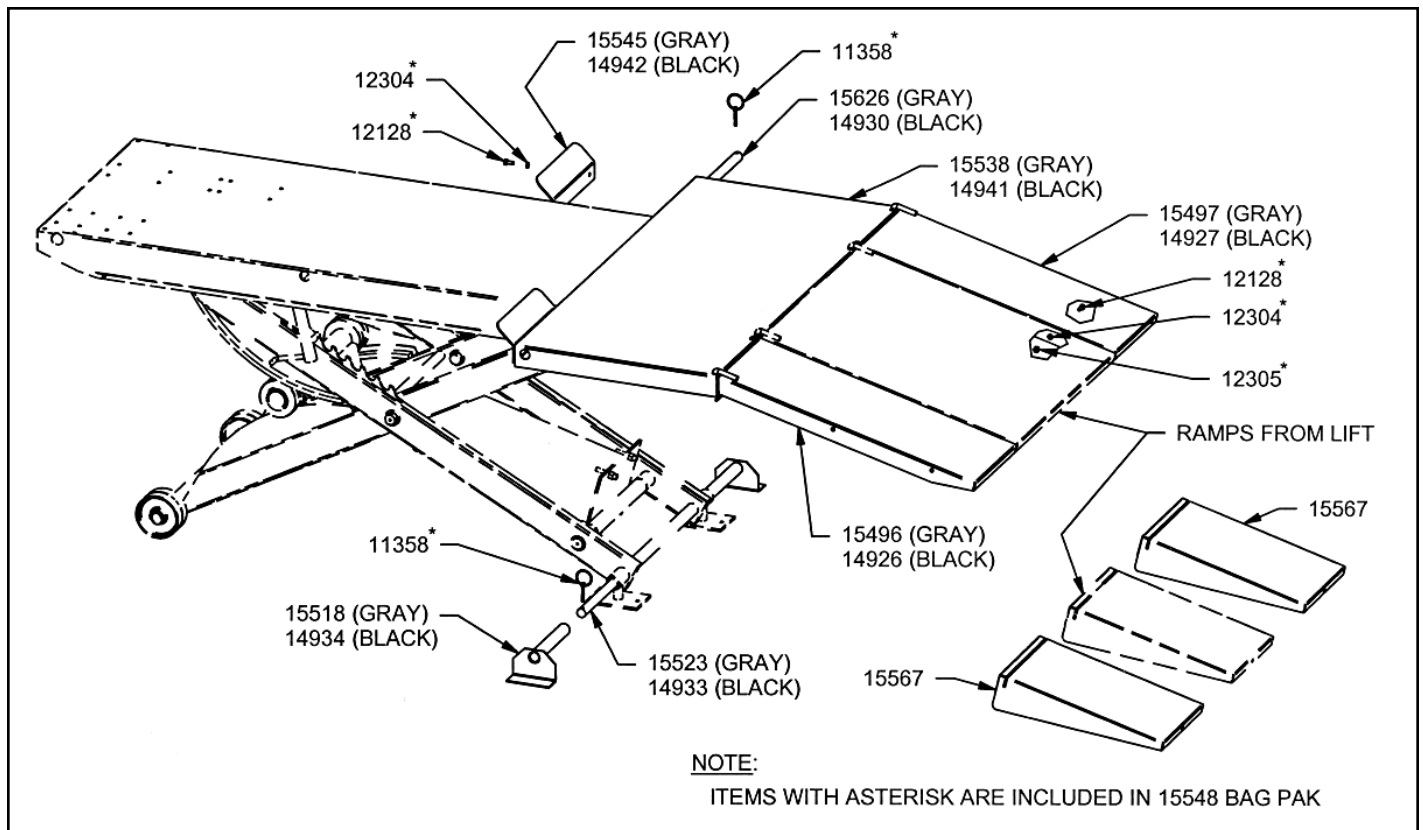
B.O.B. 1500 AIR LIFT TRIKE EXTENSION

P/N 14475 - 16778

INSTRUCTIONS - PARTS DRAWING - PARTS LIST

ASSEMBLY

1. Remove original ramp from the end of the Air Lift.
2. Center the Trike Extension (15538) over the end of the lift.
3. Insert the Trike Support Rod (15626) through the holes provided. Use quik pins (11358) to secure the rod in place.
4. Reinstall the original lift ramp that was removed in step 1.
5. Install the Left and Right Extensions (15496,15497) and bolt to the original ramp.
6. Attach Wheel Stops (15545).
7. Insert Stabilizer Bar (15523) through Air Lift footpads as shown.
8. Slide Stabilizer Footpads (15518) onto Stabilizer Bar and secure with quik pins



PARTS LIST

<u>PART #</u>	<u>DESCRIPTION</u>	<u>QTY</u>	<u>PART #</u>	<u>DESCRIPTION</u>	<u>QTY</u>
15538/14941	Trike Extension	1	15518/14934	Stabilizer pad	2
15496/14926	Left Extension Ramp	1	15567	Ramp End Ext.	2
15497/14927	Right Extension Ramp	1	11358	Quik Pin	4
15626/14930	Trike Support Rod	1	12128	Screw 5/16-18 x 3/4 HHCS	8
15523/14933	Stabilizer Bar	1	12304	Lockwasher 5/16 Split	8
15545/14942	Wheel Stop	2	12305	Nut 5/16-18 Hex	4



HANDY INDUSTRIES DIVISION OF JADEIM, LLC
 401 South 2nd. Ave. Marshalltown, IA 50158
 1-800-247-7594 Fax 641-752-1205 www.handyindustries.com