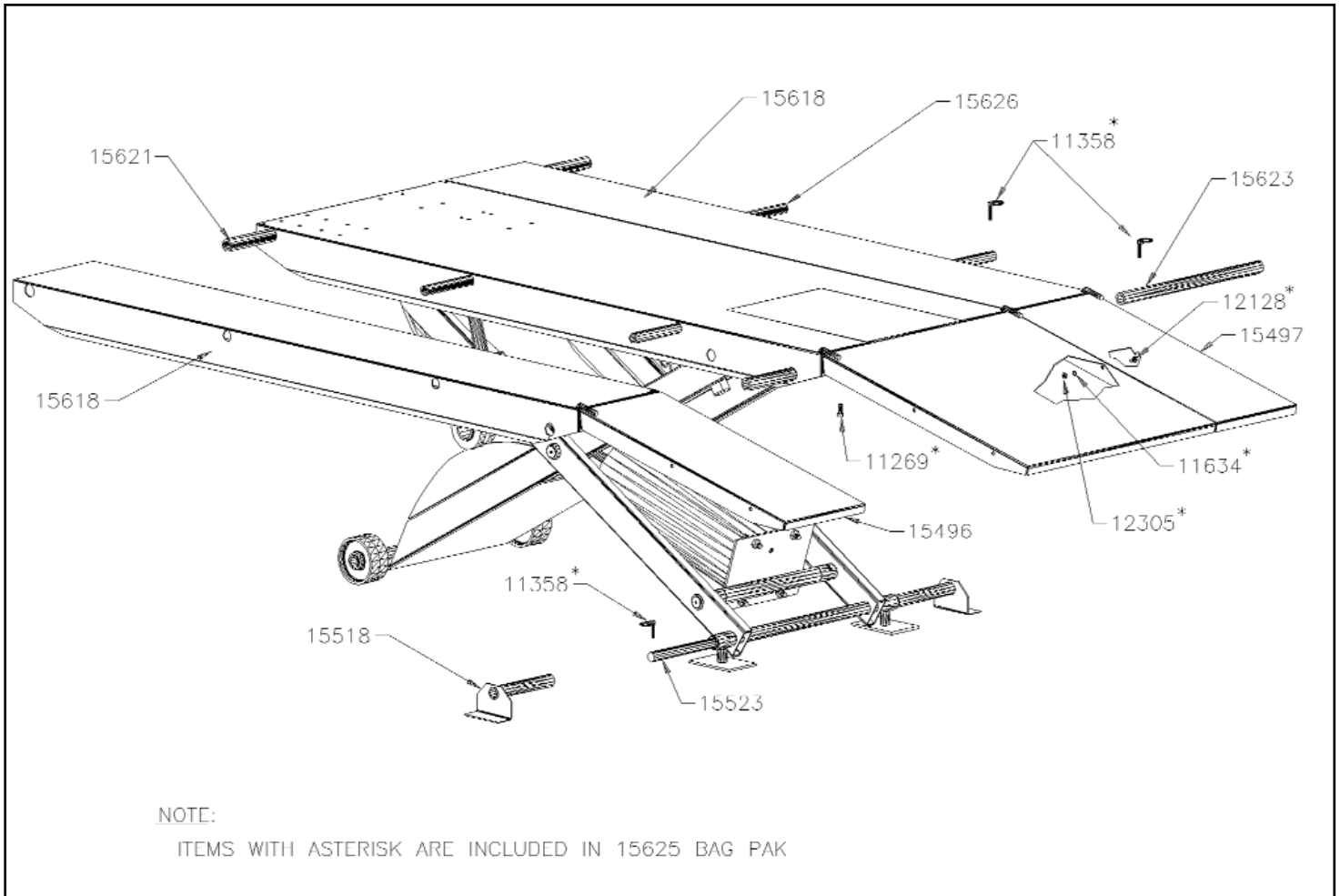




B.O.B. 1500 AIR LIFT 12" SIDE EXTENSIONS

P/N 14473 - 14924



MOUNTING INSTRUCTIONS

1. Insert pipes (15621, 15626 & 15623) from extension panel package through holes in lift table. Pipes (15623) should be inserted so that the ends are flush with the inside of the dropout. Secure pipes (15623) with (11269) 3/8" x 1" screws.
2. Mount panels (15618) on ends of pipe on each side of table with ramp hole to outside.
3. Insert 1/4" Quik Pins (11358) provided through holes in each end of pipe.
4. Secure ramp extensions to ramp with bolts provided. Make sure ramp hooks are positioned on the out side.
5. Stabilization bar instructions - Insert bar (15523) through foot pad assembly on lift. Slide foot pad extensions (15518) over bar and secure with quick pins (11358).

HANDY INDUSTRIES DIVISION OF JADEIM, LLC

401 South 2nd. Ave. Marshalltown, IA 50158

Ph 855-752-5446 Fax 641-752-1205 www.handyindustries.com

15617 9/10