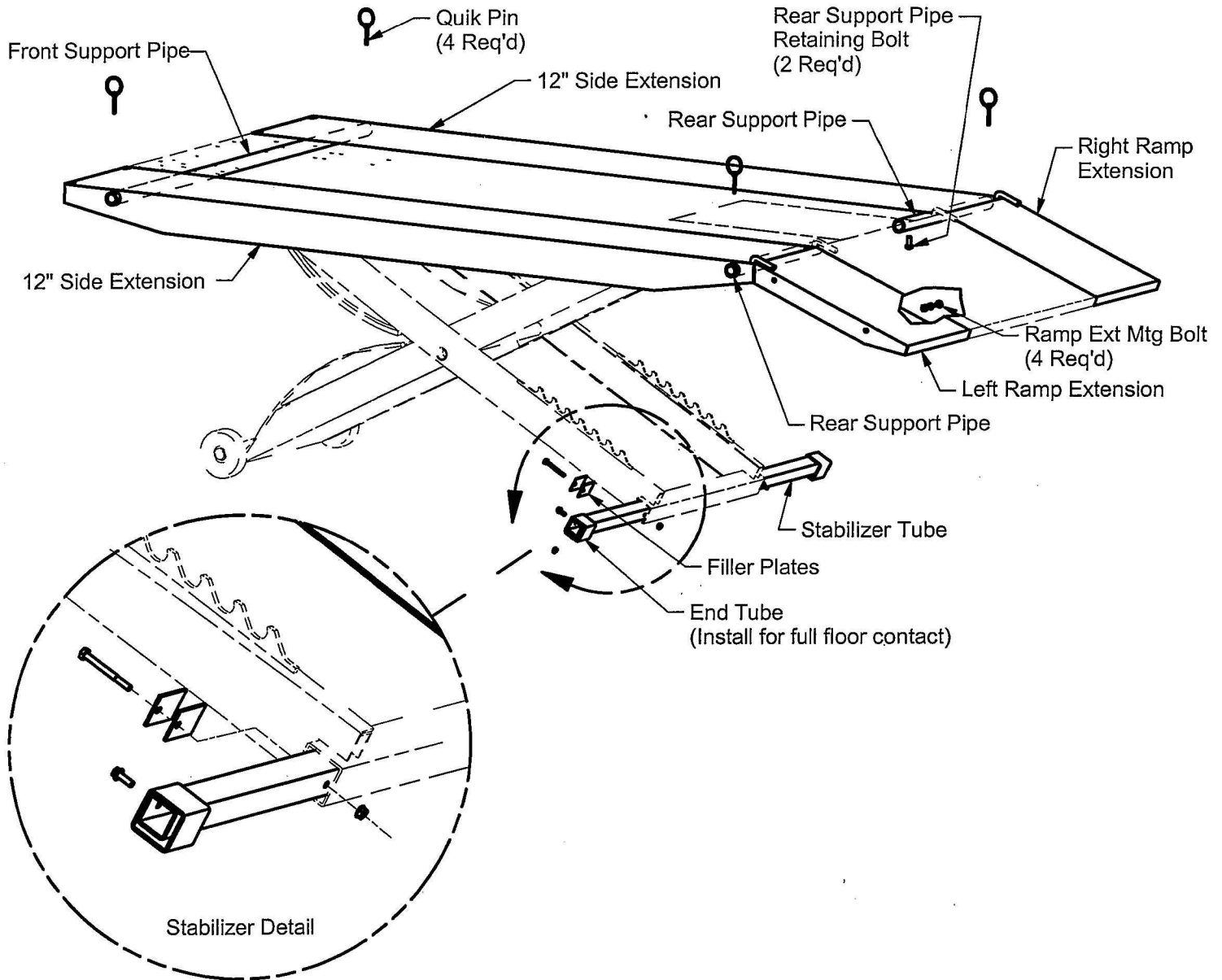


S.A.M. 1000 - 12" SIDE EXTENSIONS

For use with Handy SAM 24" x 84" Lift Tops

MOUNTING INSTRUCTIONS



1. Insert pipes from extension panel package through holes in lift table.
2. Mount panels on each end of pipe as shown above.
3. Secure rear support pipes to lift top using 3/8" bolts provided.
4. Insert 1/4" Quik Pins provided through holes in each end of pipe.
5. Hang left & right ramp extensions on panels then secure to main ramp with bolts provided. Note ramp extension hooks are positioned on the outside.
6. **Stabilizer Tube** - Insert long stabilizer tube through tube of lift outside frame. Secure stabilizer tube on each end of frame tube using filler plates and bolts as shown. Attach the short 2" tube at the end(s) of the stabilizer tube using one bolt & nut as shown. Mount so that this 2" tube has full contact on floor.

HANDY INDUSTRIES, DIVISION OF JADEIM LLC

401 South 2nd Ave. Marshalltown, IA 50158 Fax: 641-752-1205 Ph:800-247-7594

www.handyindustries.com