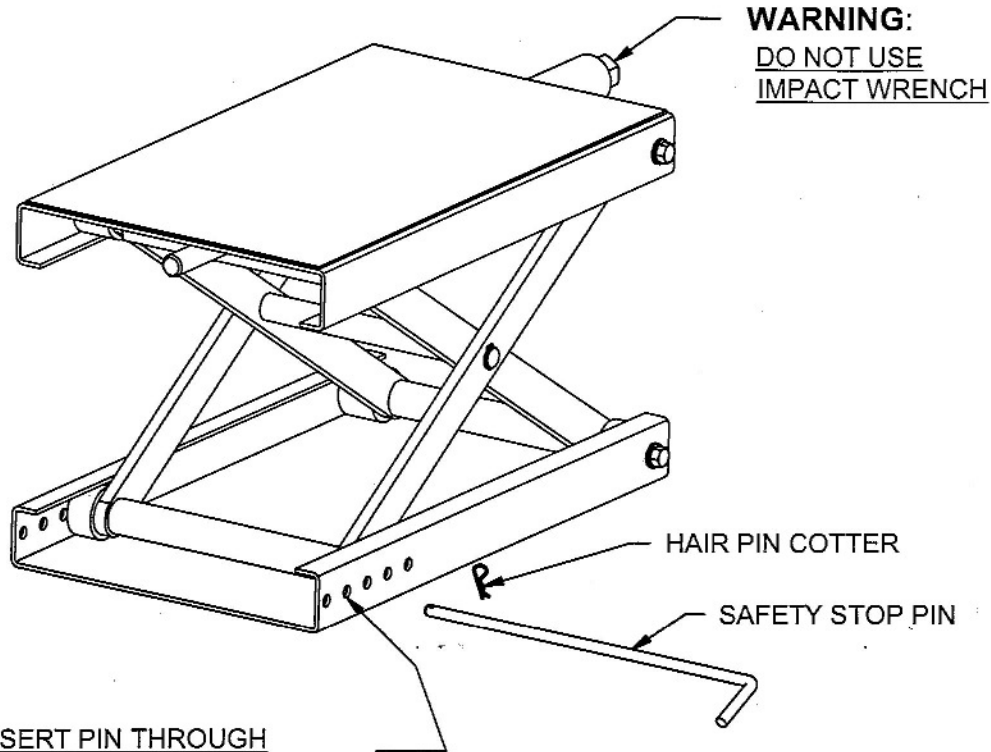




# Lo-Boy Scissor Jack - 16999H



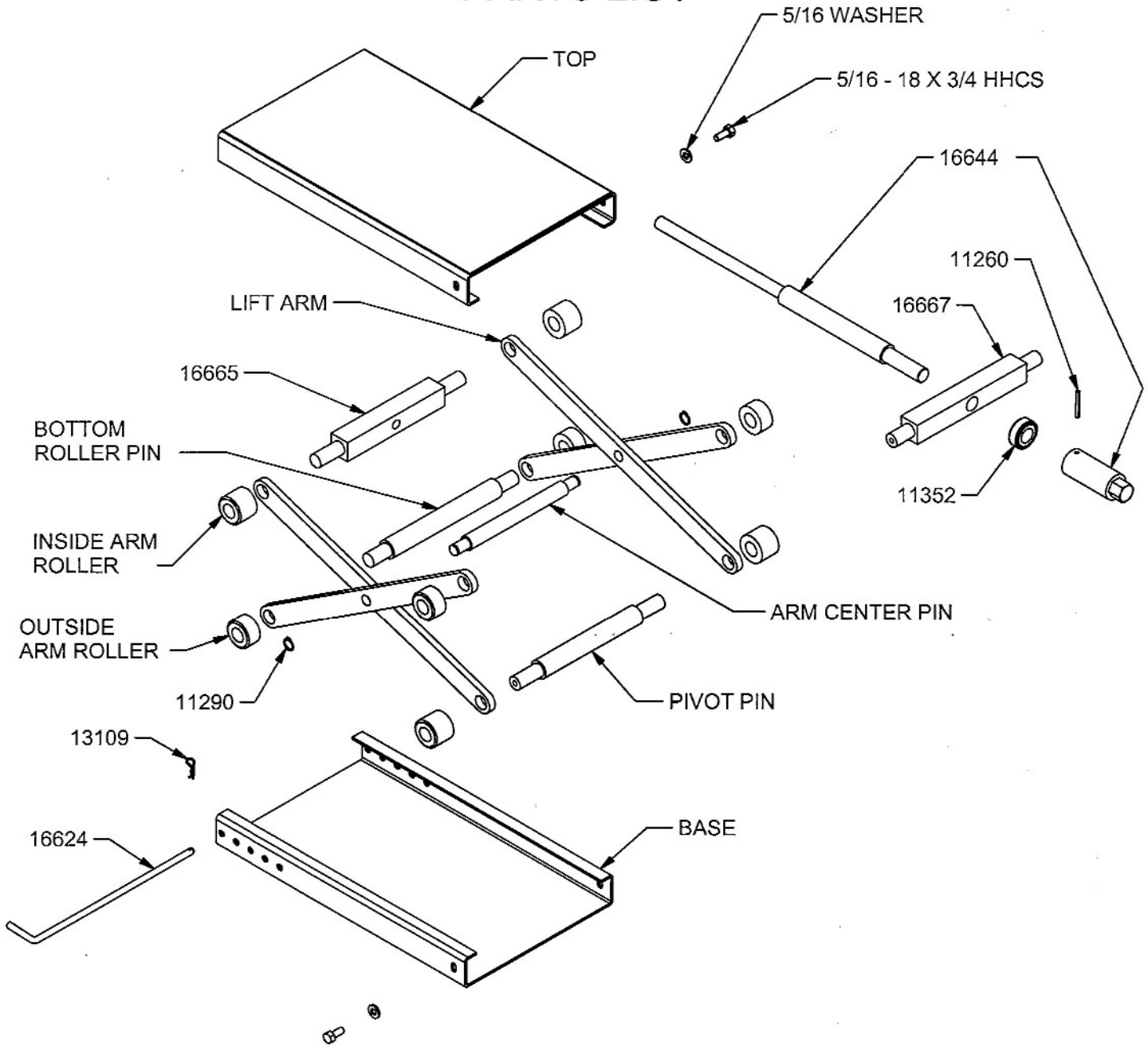
**WARNING:**  
FOR SAFETY, INSERT PIN THROUGH HOLES IN BOTH SIDES OF THE BASE WHEN THE JACK IS IN THE RAISED POSITION

## **HANDY JADEIM LIMITED WARRANTY**

Handy Industries Division of Jadeim, LLC, warrants to the original purchaser of this product, all parts to be free from defects in manufacture for a period of one (1) year from date of delivery. Notice of a defective part must be received in writing at Handy Industries within one (1) year of purchase. All defective parts must be returned to Handy Industries and which, upon our examination any parts which are defective in manufacture or workmanship, will be replaced or put in good operating condition. This warranty does not apply to damage resulting from accident, improper installation, repair, operation or maintenance, negligence or neglect. THE COST OF SUCH REPLACEMENT OR REPAIR SHALL BE EXCLUSIVE REMEDY FOR ANY BREACH OF ANY WARRANTY AND HANDY INDUSTRIES SHALL NOT BE LIABLE TO ANY PERSON FOR CONSEQUENTIAL DAMAGE, OR INJURY, OR COMMERCIAL LOSS RESULTING FROM ANY BREACH OF WARRANTY. HANDY INDUSTRIES MAKES NO WARRANTY OR MERCHANTABILITY, MAKES NO WARRANTY OF FITNESS FOR A PARTICULAR PURPOSE AND MAKES NO OTHER WARRANTY EXPRESSED OR IMPLIED, INCLUDING IMPLIED WARRANTY ARISING FROM THE COURSE OR DEALING OR USAGE OF THE TRADE. INCLUDING IMPLIED WARRANTY ARISING FROM THE COURSE OR DEALING OR USAGE OF THE TRADE.

# Lo-Boy Scissor Jack - 16999H

## PARTS LIST



PART No.	DESCRIPTION	QTY
11260	PIN ROLL 3/16 X 1 1/2	1
11290	RETAINING RING	2
11352	THRUST BEARING	1
13109	HAIR PIN COTTER	1
16624	SAFETY HOLDING PIN	1
16644	DRIVE SCREW ASSY	1
16665	UPPER ROLLER BLOCK	1
16667	SCREW SUPPORT BLOCK	1

HANDY DIVISION OF JADEIM, LLC  
PH 855-752-5446 FAX 641-752-1205