



# LOUVERED & ECONOGATE TAILGATES

**CENTER LATCH • STRAIGHT • ECONOGATE**

## REMOVAL/INSTALLATION INSTRUCTIONS

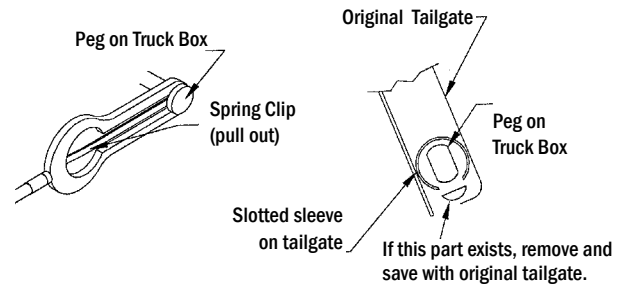
The Handy Louvered Tailgate is black in color which will harmonize with various truck colors. However, if desired, the tailgate may be repainted to match your truck color. For best results, it is recommended that this repainting be done by a professional car/truck painter.

### CENTER LATCH (CL) - STRAIGHT MODELS (ST) - ECONOGATE (EG)

#### STANDARD TAILGATE REMOVAL

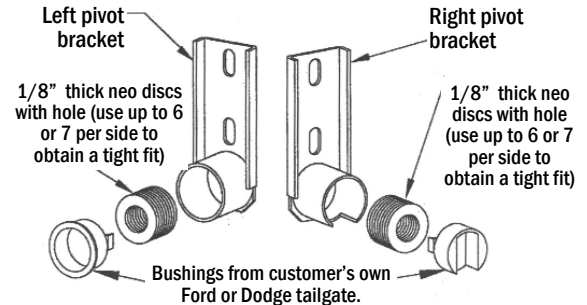
**MODELS (CL2508, CL2509, CL2510, CL2531, CL2533, CL2534) - (ST2308, ST2309, ST 2310, ST 2331, ST2333, ST2334) - (EG 2409, EG 2410, EG 2432)**

Partially open tailgate. Remove the retaining cables at each side of the truck. Tip tailgate to align the right pivot tube notch with mating peg on truck. Lift right side off then pull tailgate from the left peg and set tailgate aside. Remove the cables from the tailgate. On the models CL2510, CL2531, ST2310, ST2331, EG2410 & EG2432 re-install the cable mounting bolts to the standard tailgate. On the CL2508, CL2509, CL2533, ST2308, ST2309, ST2333 & EG2409 keep the mounting bolts with the cables.



#### MODELS (CL2509, CL2533, CL2534) - (ST2309, ST2333, ST2334) - (EG2409)

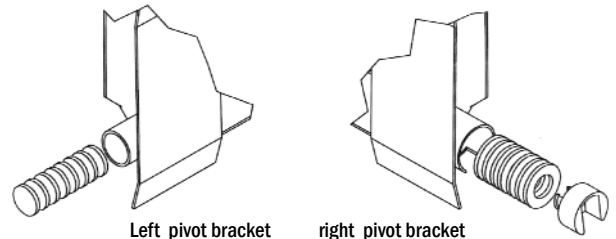
Remove the bushings from both the left and right pivots of the standard tailgate and install them into the pivot tubes of the new Handy tailgate. Note: Depending on the model you have there are six or seven neoprene discs installed in each pivot tube of the new tailgate. Use as many of these as possible behind the bushing inserts to center the tailgate and obtain a tight fit. Refer to illustration.



**CAUTION!** Failing to transfer the bushing inserts from the pivots of the truck's standard tailgate to the pivots of the new tailgate could result in property damage or personal injury!

#### MODELS TG CL2508 - TG ST2308:

Remove the bushings from the right pivot of the standard tailgate and install it in the right pivot tube of the new louvered tailgate and install it in the right pivot tube of the new louvered tailgate. There are seven (7) neoprene discs with holes in the right pivot tube. Use as many of these behind the bushing insert along with the eight (8) smaller, solid neoprene discs in the left pivot tube to center the tailgate and obtain a tight fit.



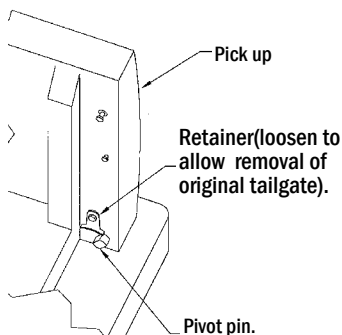
**CAUTION!** Failing to transfer the bushing inserts from the pivots of the truck's standard tailgate to the pivots of the new tailgate could result in property damage or personal injury!

#### MODELS (CL2508, CL2509, CL2510, CL2531, CL2533, CL2534) (ST2308, ST2309, ST 2310, ST 2331, ST2333, ST2334) (EG 2409, EG 2410, EG 2432)

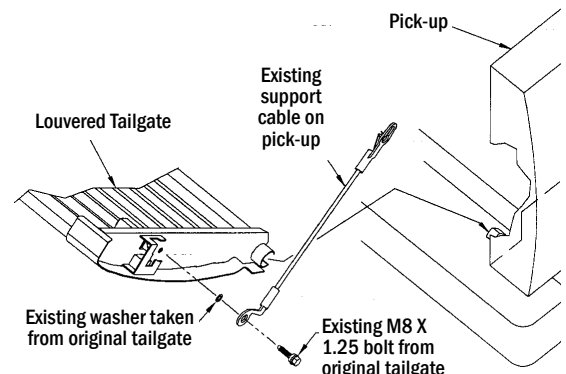
Install the mounting cables to the new Handy tailgate. On the CL2510, CL2531, ST2310, ST2331, EG2410, EG2432 use the bolts supplied with the new tailgate. On the CL2508, CL2509, & CL2533, ST2308, ST2309 & ST2333 use the bolt still attached to the standard cable end. Once the cables have been secured to the new tailgate, lift the tailgate into position, reversing the procedure for removal.

**NOTE:** All new Handy tailgates have neoprene discs located in the pivot tubes. These discs must remain in place to insure that the tailgate is centered and free of excessive side to side movement.

#### Model CL2519, ST2319, EG2419



**Tailgate Removal:** Open tailgate. Unbolt cables from the tailgate by removing the bolts at the tailgate end of the cable. **NOTE: Cables are left and right so do not switch sides.** Place cables, bolt and washers that were just removed to the side for a moment. Loosen retainer clip located on truck box just above the right pivot tube. Tip tailgate partially open until the slot in right tailgate sleeve aligns with the pivot on truck box. Lift tailgate off of right pivot post, then pull left side off of its pivot. Reverse the process to install louvered tailgate. After installation of tailgate, tighten retainer above right side pivot tube. Using the bolts & washers removed earlier, secure the cables to the newly installed tailgate as shown.

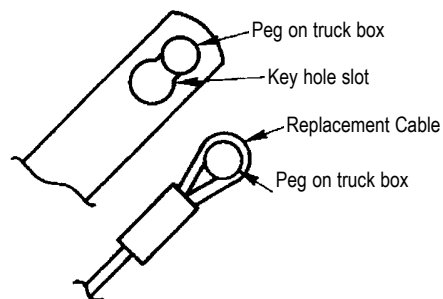


## **Model CL2520, ST2320, EG2420**

**Support Arm Removal (Keyhole Slot):** Partially open tailgate and push the truck end of the arm (which has keyhole slot) forward until hole in slot aligns with head of peg on truck, then disconnect arm. These arms will remain with the original tailgate. They are replaced with the cable type support on louvered tailgate. After installation of louvered tailgate, simply hook cable loops over the peg on truck box.

**Support Arm Removal (Slotted Sleeve):** Tip tailgate partially open until slot in right tailgate sleeve aligns with pivot post on truck box. Lift tailgate off right pivot post, then pull left side off its pivot.

Note: Remove plastic insert from right side peg on box and save with removed tailgate. Reverse this process to install louvered tailgate. After installation of tailgate, connect cable supports to peg on truck box. This tailgate has neoprene pads in the pivot sleeve to reduce vibrations after installation. Be sure these remain installed when mount the tailgate.



## **ADJUSTMENTS**

**Because of variances in manufacturers tooling, tailgates many fit differently when installed. Therefore, the following tailgates may be adjusted to fit properly by using the following procedures.**

### **Model (CL2509, CL2510, CL2520, CL2531, CL2533, CL2534) (ST2309, ST2310, ST2320, ST2331, ST2333, ST2334)**

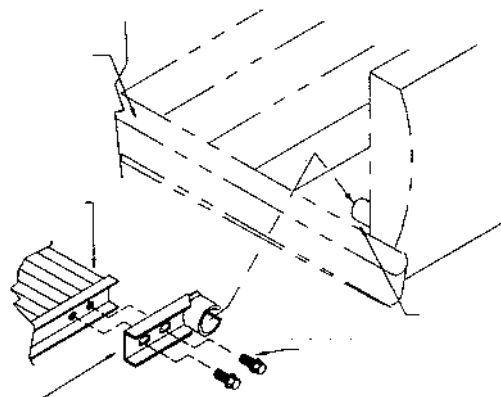
The pivot bracket adjustments should allow sufficient adjustment for any variances by the truck manufacturer. However, if an acceptable fit cannot be attained with this adjustment, it will be necessary to make further corrections by loosening and adjusting the pivot posts and latch catches on the truck box.

If a vertical adjustment is necessary for the tailgate to match the truck box sides vertically, it may be adjusted by loosening the bolts which secure the pivot bracket to the tailgate and moving that bracket up or down to achieve an acceptable fit. After a good fit is obtained, be sure all bolts are tightened.

### **Model (CL2510) - (ST2310)**

These tailgates are equipped with an adjustable stop which is located near the top of the tailgate. If the tailgate does not fit snugly after installation, this stop would be adjusted by loosening its securing bolts and sliding it in or out to achieve the proper fit. After a good fit is obtained, be sure all bolts are tightened.

The pivot bracket adjustments should allow sufficient adjustment for any variances by the truck manufacturer. However, if an acceptable fit cannot be attained with this adjustment, it will be necessary to make further corrections by loosening and adjusting the pivot posts and latch catches on the truck box.



### **Model CL2508, CL2519, ST2308, ST2319, EG2410, EG2409, EG2419, EG2420, EG2432**

The CL2519, ST2319 and EG2419 do not have an adjustable pivot brackets. If an acceptable fit cannot be obtained, it may be necessary to loosen the pivot posts and latch catches on the truck box. If this needs to be done, be sure to retighten all truck components securely after any adjustment has been made.

## **LATCHING MECHANISM**

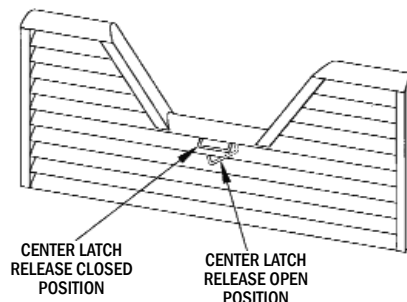
The **STRAIGHT TAILGATE** latches are engaged and released by pulling on the cable located between the louvers.

The **FIFTH WHEEL TAILGATE** with center handle release is engaged and released by pulling/rotating the release handle out and to the right.

The **ECONOGATE TAILGATE** latches are engaged and release by pulling on the rings located at each end of the tailgate. Actual ring locations vary with models.

### **CAUTION: TO AVOID INJURY**

When opening tailgate, support tailgate with one hand while using the other hand to move center handle to the release position. **NOTE:** When closing the tailgate, it is advisable to use the release handle to retract the latch pins away from the mating latch or peg for a smoother engaging action.



### **HANDY LIMITED WARRANTY**

Handy Industries, L.L.C., warrants to the original purchaser of this product, all parts to be free from defects in manufacture for a period of two (2) years from date of delivery. Notice of a defective part must be received in writing at Handy Industries, LLC within two (2) years of purchase. All defective parts must be returned to Handy Industries, L.L.C., and which, upon our examination any parts which are defective in manufacture or workmanship, will be replaced or put in good operating condition. This warranty does not apply to damage resulting from accident, improper installation, repair, operation or maintenance, negligence or neglect. THE COST OF SUCH REPLACEMENT OR REPAIR SHALL BE EXCLUSIVE REMEDY FOR ANY BREACH OF ANY WARRANTY AND HANDY INDUSTRIES, L.L.C. SHALL NOT BE LIABLE TO ANY PERSON FOR CONSEQUENTIAL DAMAGE, OR INJURY, OR COMMERCIAL LOSS RESULTING FROM ANY BREACH OF WARRANTY. HANDY INDUSTRIES, L.L.C. MAKES NO WARRANTY OR MERCHANTABILITY, MAKES NO WARRANTY OF FITNESS FOR A PARTICULAR PURPOSE AND MAKES NO OTHER WARRANTY EXPRESSED OR IMPLIED, INCLUDING IMPLIED WARRANTY ARISING FROM THE COURSE OF DEALING OR USAGE OF THE TRADE.



**Handy Industries, L.L.C.**

702 South 3rd Ave. Marshalltown, IA 50158  
**1-800-247-7594 • Fax 641-752-1205**  
www.handyindustries.com  
sales@handyindustries.com